

4

3

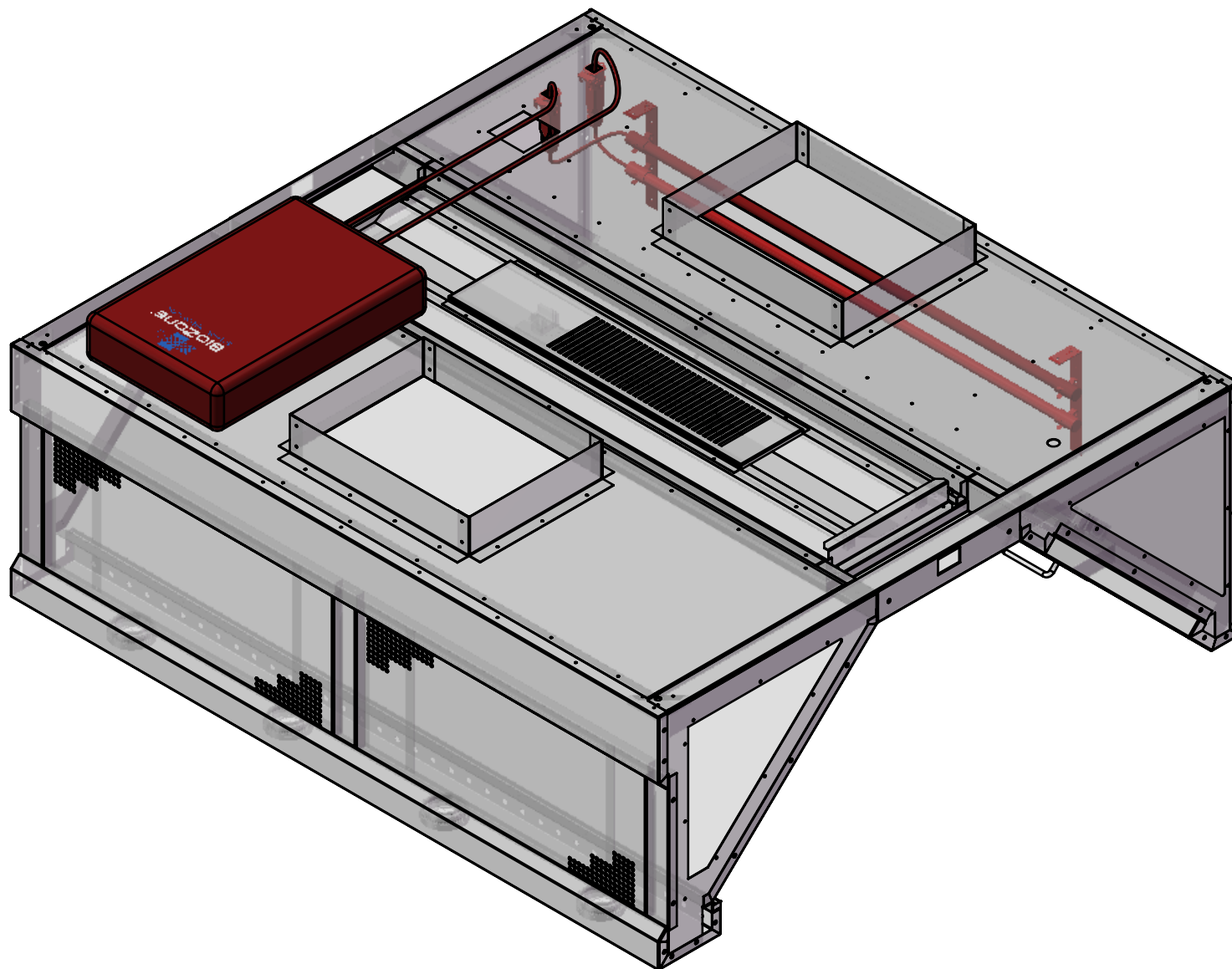
2

1

REVISIONS					
ZONE	REV.	DCN#	DESCRIPTION	DATE	BY
	A		INITIAL CONCEPT	2/13/2019	MH
	B		ADJUSTED CONTROL BOX POSITION	6/10/2019	MH

B

A



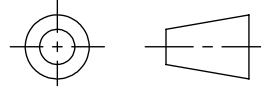


NOTES:

1. BALLASTS AND UV CONTROL IN BOX ABOVE HOOD
2. LAMPS HELD IN PLACE USING SPRING CLIPS AND MOUNTING BRACKETS WITH ADJUSTABLE HEIGHT
3. CABLE IS INTEGRATED INTO THE BASE OF UV LAMP
4. HEAVY DUTY LATCHING CONNECTOR USED AS INTERFACE BETWEEN LAMP CABLE AND HOOD WALL

B

A

UNLESS OTHERWISE SPECIFIED DIMENSIONS ARE IN INCHES.		 		BIOZONE SCIENTIFIC INTERNATIONAL CORPORATION RESERVES PROPRIETARY RIGHTS TO THIS DRAWING. DRAWING AND THE DATA SHOWN THEREON MAY NOT BE DISCLOSED, USED OR REPRODUCED WITHOUT THE WRITTEN CONSENT OF BIOZONE SCIENTIFIC INTERNATIONAL CORPORATION.	
TOLERANCES ARE:		DRAWN BY: MH		DATE: 2019-02-13	
ANGLES ± 1°		CHECKED BY:		DATE:	
1 PLC. DECIMALS ±.100		APPROVED BY:		DATE:	
2 PLC. DECIMALS ±.020		MATERIAL: SEE NOTES		TITLE: BIOZONE OGR ON KITCHEN HOOD	
3 PLC. DECIMALS ±.005		SERIAL NO. XXXXXXX		DRAWING NO. 40200093	
THIRD ANGLE PROJECTION		DO NOT SCALE DRAWING		REV. B	
		SHEET 1 OF 3			

4

3

2

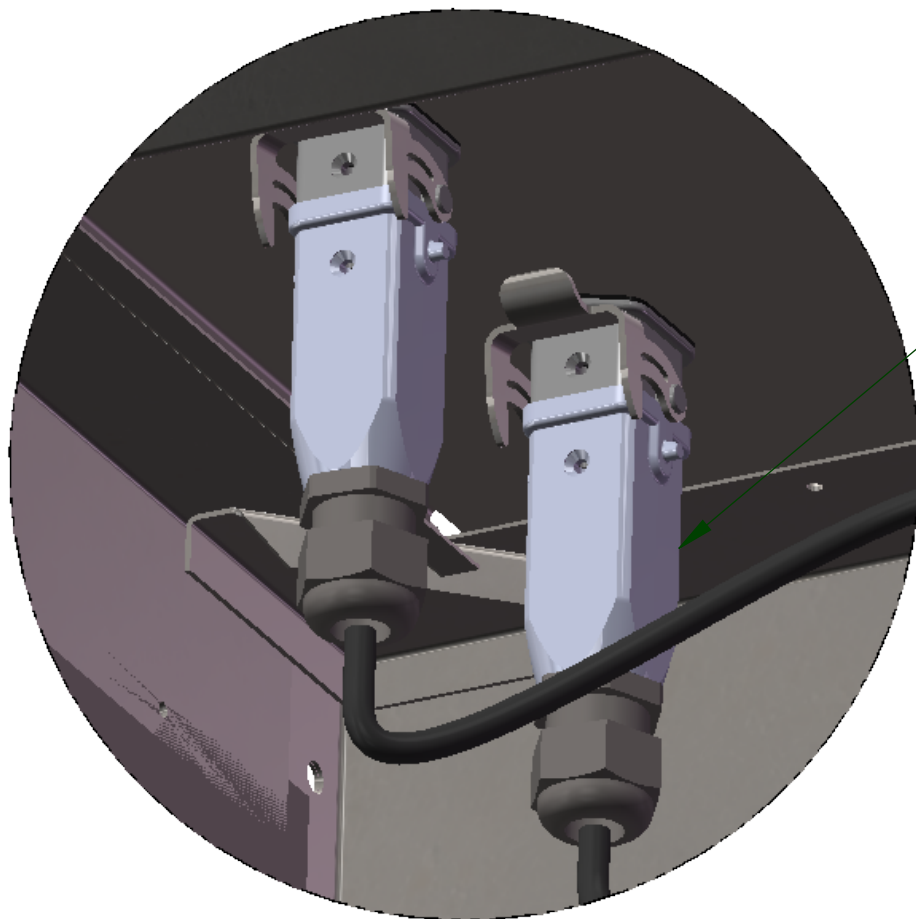
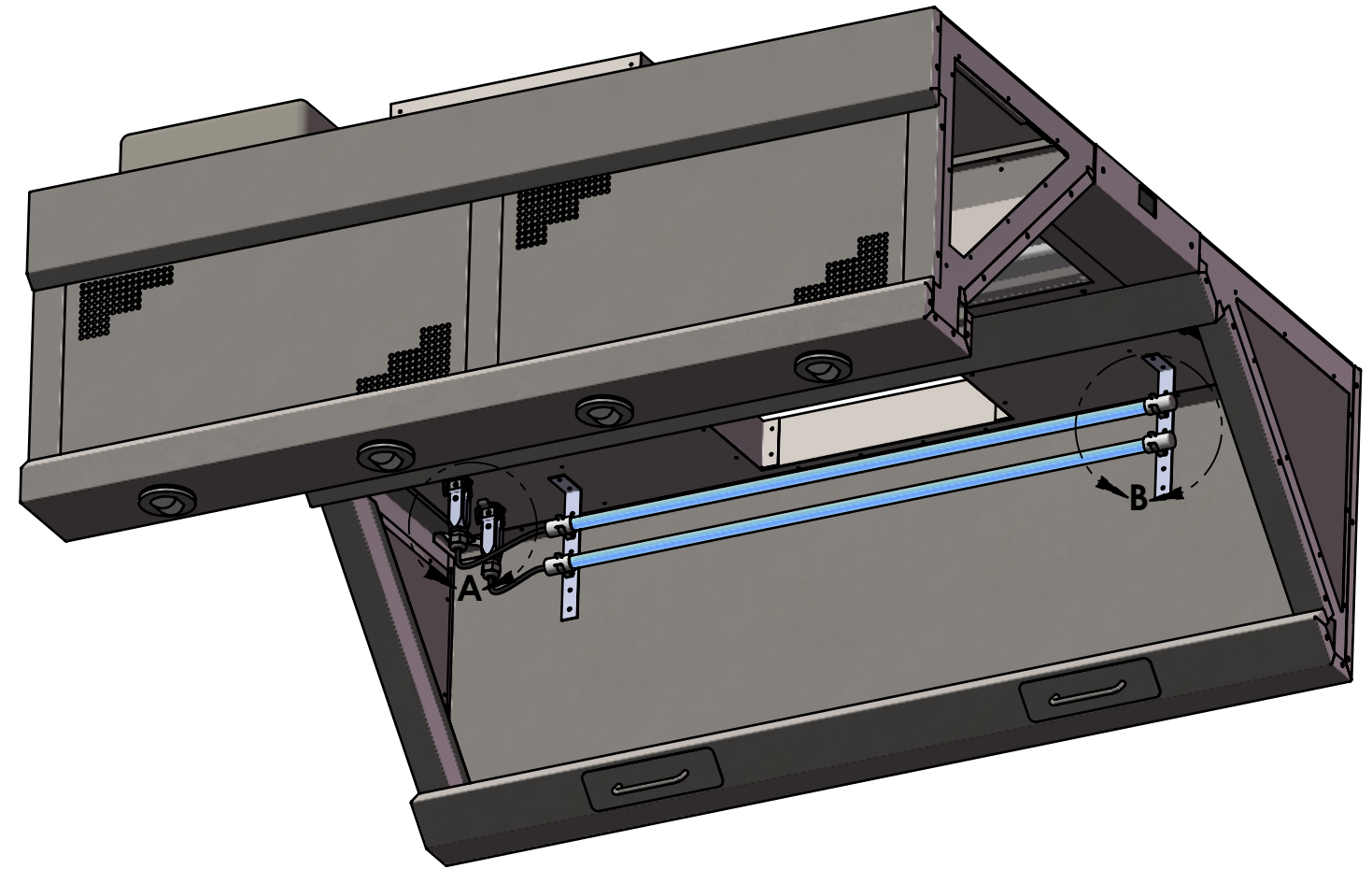
1

4

3

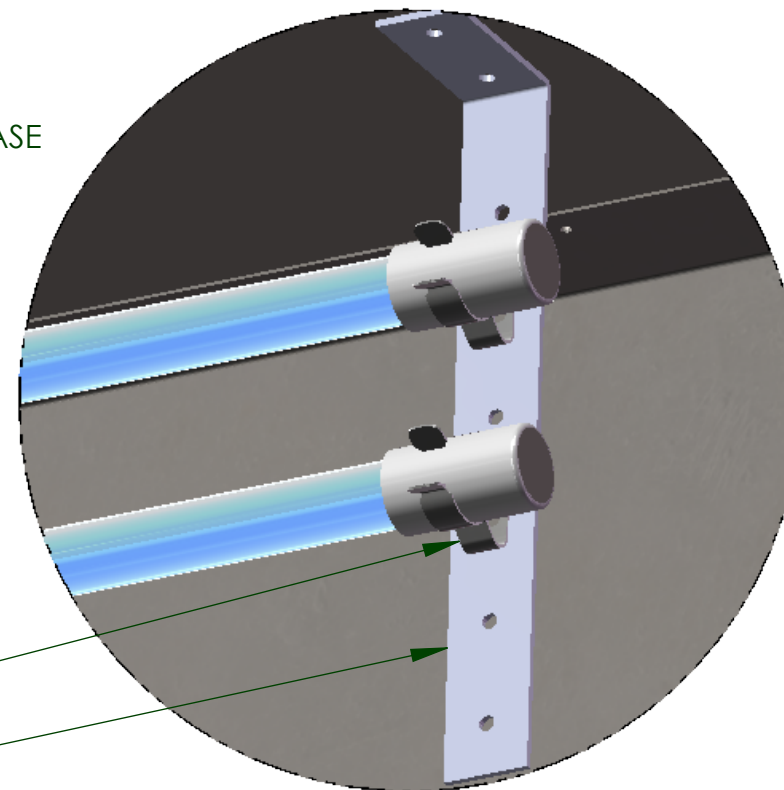
2

1



DETAIL A

LATCHING CONNECTOR BASE



DETAIL B

SPRING CLIPS

MOUNTING BRACKET



BIOZONE SCIENTIFIC INTERNATIONAL, INC.
RESERVES PROPRIETARY RIGHTS
TO THIS DRAWING. DRAWING AND
THE DATA SHOWN THEREON MAY
NOT BE DISCLOSED, USED OR
REPRODUCED WITHOUT THE WRITTEN
CONSENT OF BIOZONE SCIENTIFIC
INTERNATIONAL, INC.

TITLE
BIOZONE OGR ON KITCHEN HOOD

DRAWING NO.	REV.
40200093	B

DO NOT SCALE DRAWING SHEET 2 OF 3

4

3

2

1

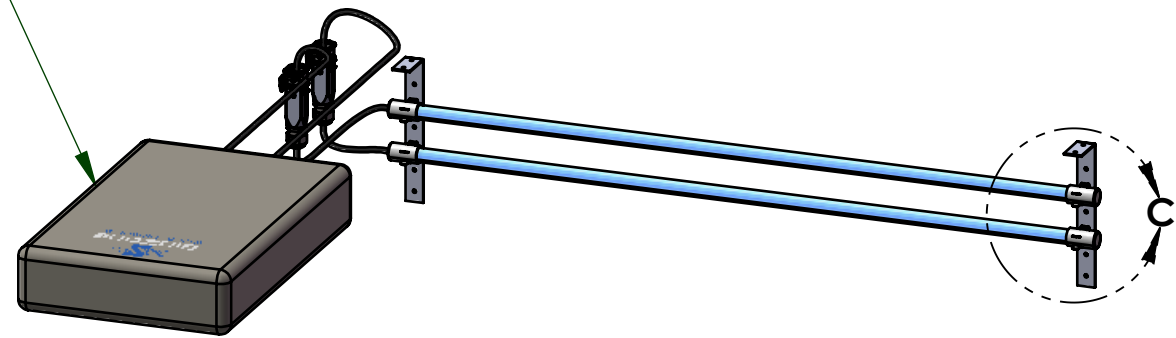
4

3

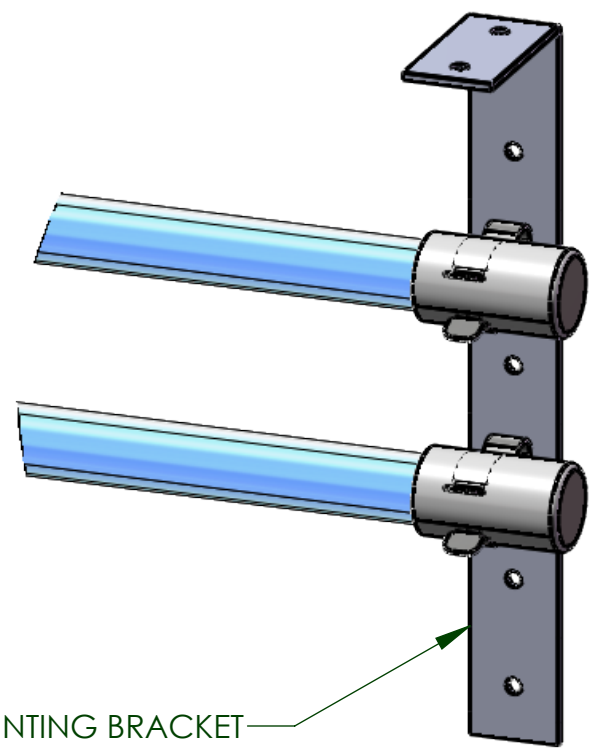
2

1

UV CONTROL BOX



MOUNTING BRACKET

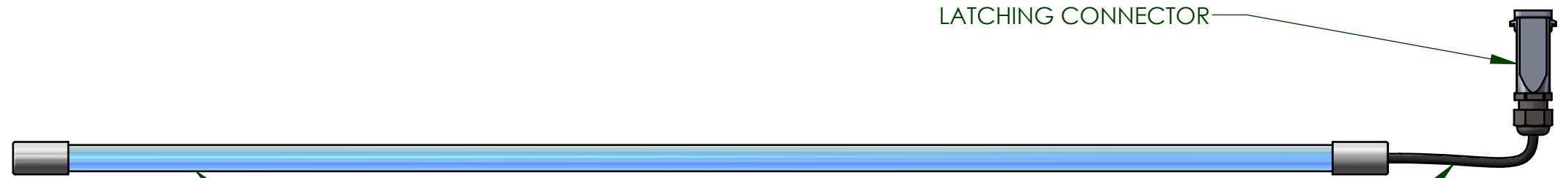




DETAIL C

LATCHING CONNECTOR

BIOZONE ULTRA OUTPUT UV LAMP

HEAT, GREASE, UV, OZONE RESISTANT CABLE



 		<small>BIOZONE SCIENTIFIC INTERNATIONAL, INC. RESERVES PROPRIETARY RIGHTS TO THIS DRAWING. DRAWING AND THE DATA SHOWN THEREON MAY NOT BE DISCLOSED, USED OR REPRODUCED WITHOUT THE WRITTEN CONSENT OF BIOZONE SCIENTIFIC INTERNATIONAL, INC.</small>
TITLE BIOZONE OGR ON KITCHEN HOOD		
DRAWING NO. 40200093		REV. B
DO NOT SCALE DRAWING		SHEET 3 OF 3

4

3

2

1